

Spline

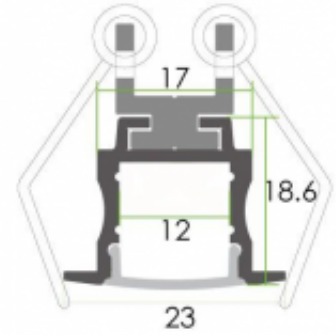
The Spline is a recessed 23mm wide continuous luminaire, available in 1000mm to 4000mm sections. The Spline has a micro trim bezel which gives a minimalist appearance in the ceiling which makes it ideal for architectural spaces. The fitting is made from extruded aluminium with a polycarbonate diffuser to achieve a highly efficient linear profile.

- Aluminium profile
- Frosted polycarbonate diffuser
- Instant on - no flicker
- Environmentally Friendly - No mercury or lead enters the environment
- No RF and electronic magnetic interference
- Over 50,000 hours life span



General

Dimensions	23mm Width x 19mm Height
Cutout	18 - 19mm
Weight	0.5 kg/m
Beam Angle	60°
Installation	Ceiling Recessed
Voltage	220-240Vac
Certification	CE, ROHS
Warranty	5 Years



Performance

Colour Rendering	Ra>80
Longevity	50,000 hours
System Power	5.00 W/m 7.20 W/m 10.0 W/m 15.0 W/m
Exit Lumens	490 lm/m 750 lm/m 950 lm/m 1350 lm/m
Compliance	Building Regulations ETL (Energy Technology List) ECA (Enhanced Capital Allowance) SKA Rating

Available options

Length	1000mm, 2000mm, 3000mm, 4000mm, Bespoke
Body Finish	Aluminium, White, Black
Colour Temperature	2700K, 3000K, 4000K, 6000K, RGB, RGBW
Diffuser	Opal, Frosted, Clear
Wattage	5W/m, 7.2W/m, 10W/m, 15W/m
Dimming	Fixed Output, 1-10V Dimming, DALI Dimmable, Mains Dimming, Switch Dimming, DMX

Product Code: SPL