

LED.CO.UK

HAZX NERO RANGE



## ABOUT US

LED.CO.UK is an International supplier of LED lighting and LED Screen technology. We specialise in complete energy efficient lighting solutions for both new and retrofit applications. We provide the highest quality LED based products by integrating premium components to ensure reliability and optimum performance.

Our service delivers a full bespoke package from site surveys, lighting design, the provision of leading edge screen technology and installation.

## **HAZARDOUS AREA**

The HAZX Nero Range is designed specifically for hazardous environments which require high performance, high reliability, White-Light illumination. Housed in Marine Grade aluminium with a toughened glass window, and using our field-proven, long-life LED technology, our Floodlights are ATEX and IEC Ex approved for all Zone 1 and Zone 2 applications and rated for T4, T5 and T6 environments/locations. Available in both standard and emergency versions.

# HAZX

## NERO MINI



- ATEX & IEC EX approved - Zone 1 & 2
- Ultra long life LED
- High Lumen output LED
- Instant-on, no flicker
- Ease of Installation & Maintenance
- Wide operating temperature
- Holographic lens technology
- Over 50,000 hours life span
- 5 Year Warranty

Our HAZX Nero Mini is available in a variety of different beam patterns, both circular and elliptical, to suit any application. The circular beam patterns maximise light output, while the elliptical beam patterns use revolutionary holographic lens technology to shape the light providing greater illumination distances with significantly reduced energy wastage. The holographic beam patterns can easily be modified – offering ultimate flexibility to specifiers, distributors and end-users.

Our Flood has been designed from the ground up for easy installation, easy maintenance, easy inspection, and long life performance. Our thermal management technology, ensures a much cooler LED operating temperature allowing the product to operate for >10 years. A unique, maintenance friendly design allows quick and easy servicing and inspection of all key components including LED and PSU modules if required.



General	
Dimensions	192 x 206 x 162mm
Weight	5.0kg
Installation	Bracket Mounted
Voltage	110-254Vac 50/60Hz
Classification	Ex II 2GD emb IIC T4 / Ex tb IIIC T82°C Db
Certification	ATEX and IEC Ex rated for Gas & Dust
Zone	Zone 1 & 2 (Gas) Zone 21 & 22 (Dust)
Warranty	5 Years

Performance	
IP Rating	IP67
Colour Rendering	Ra>80
Longevity	50,000 hours
Colour Rendering	Ra>80
System Power	30.0 W
Exit Lumens	2,250 lm (circular beam) 2,000 lm (elliptical beam)
Efficiency	75.0 l/cW (circular beam) 66.7 l/cW (elliptical beam)

# HAZX

## NERO MINI

### HAZX Nero Mini

#### Wattage

30W

#### Colour

6000K

#### Beam Angle

Fine (10° Beam)

Narrow (30° Beam)

Medium (50° Beam)

Wide (120° Beam)

Elliptical Fine (35° x 10° Beam)

Elliptical Narrow (60° x 25° Beam)

Elliptical Medium (80° x 30° Beam)

Elliptical Wide (120° x 50° Beam)

#### Photocell

Not required

Integral Photocell

#### Emergency

Not required

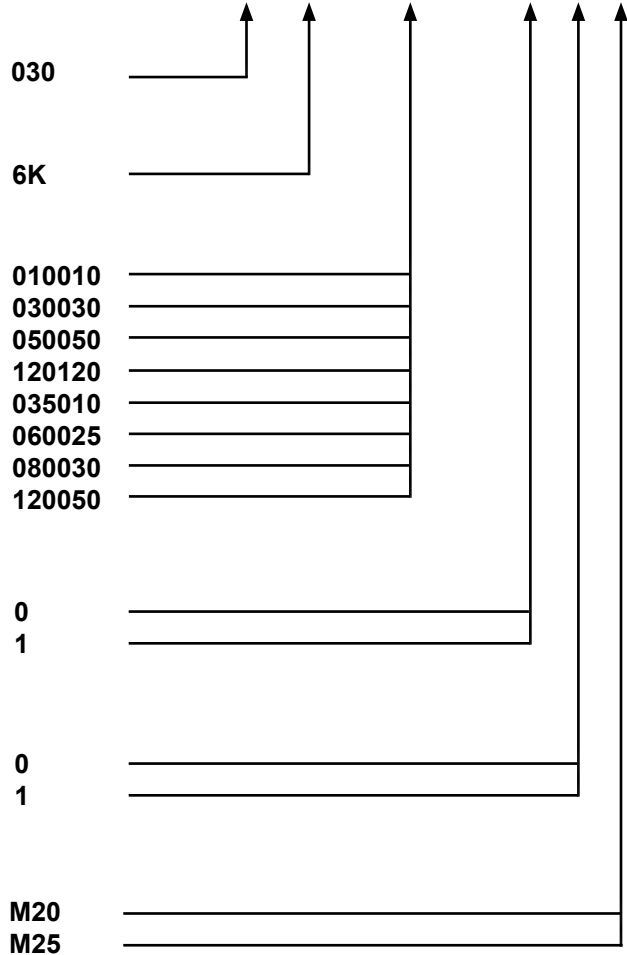
Emergency (3 Hour)

#### Cable Entries

M20

M25

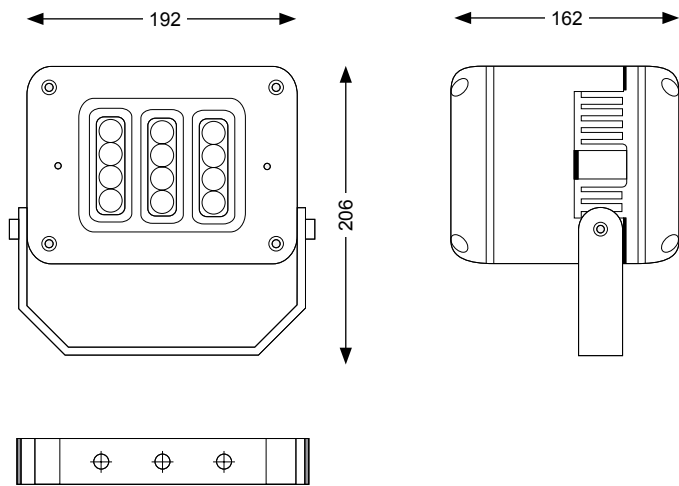
HAZ-NER-M -030 -XX -XXXXXX -X -X -XXX



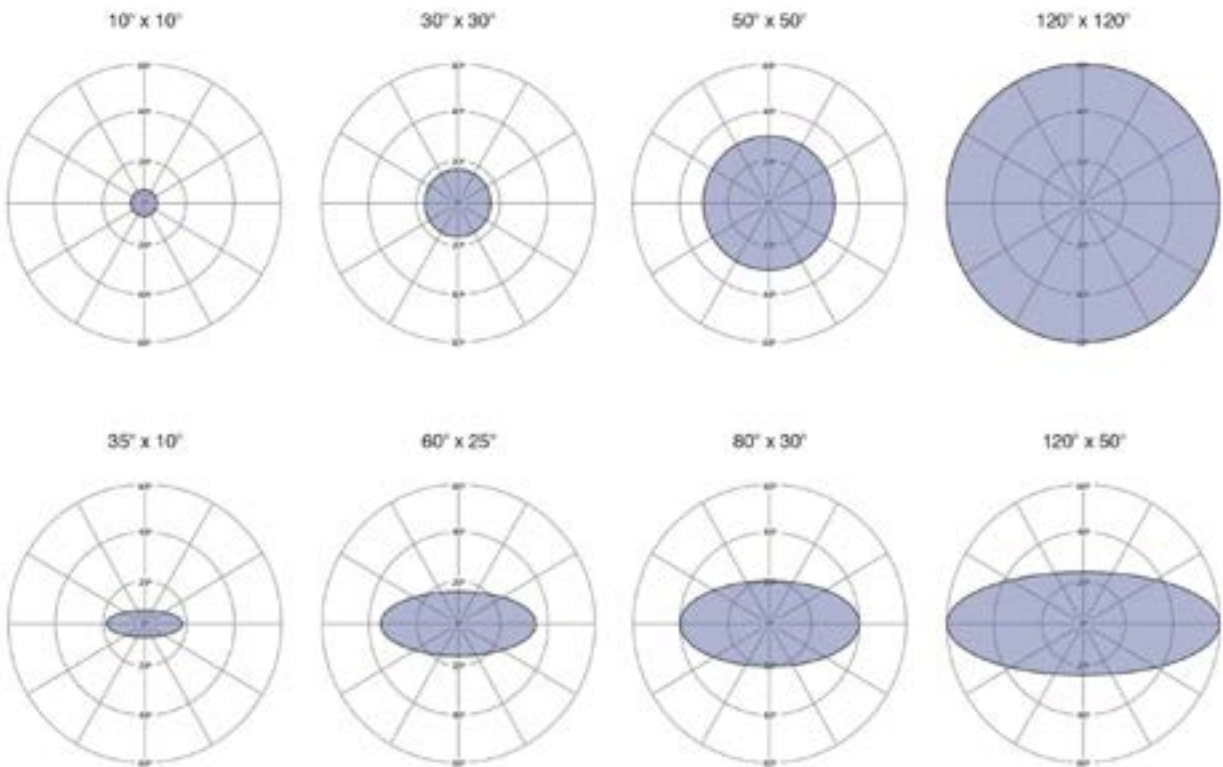
### Example of Code:

HAZ-NER-M-12-030-6K-010010-0-0-M20

Wattage: 30W  
Colour: 6000K  
Beam Angle: Fine (10° Beam)  
Photocell: Not required  
Emergency: Not required  
Cable Entries: M20



### Beam Angles



# HAZX

## NERO



- ATEX & IEC EX approved - Zone 1 & 2
- Ultra long life LED
- High Lumen output LED
- Instant-on, no flicker
- Ease of Installation & Maintenance
- Wide operating temperature
- Holographic lens technology
- Over 50,000 hours life span
- 5 Year Warranty

Our HAZX Nero is available in a variety of different beam patterns, both circular and elliptical, to suit any application. The circular beam patterns maximise light output, while the elliptical beam patterns use revolutionary holographic lens technology to shape the light providing greater illumination distances with significantly reduced energy wastage. The holographic beam patterns can easily be modified – offering ultimate flexibility to specifiers, distributors and end-users.

Our Flood has been designed from the ground up for easy installation, easy maintenance, easy inspection, and long life performance. Our thermal management technology, ensures a much cooler LED operating temperature allowing the product to operate for >10 years. A unique, maintenance friendly design allows quick and easy servicing and inspection of all key components including LED and PSU modules if required.





General	
Dimensions	291 x 247 x 150mm
Weight	9.5kg
Installation	Bracket Mounted
Voltage	110-254Vac 50/60Hz
Classification	Ex II 2GD emb IIC T4 / Ex tb IIIC T82°C Db
Certification	ATEX and IEC Ex rated for Gas & Dust
Zone	Zone 1 & 2 (Gas) Zone 21 & 22 (Dust)
Warranty	5 Years

Performance	
IP Rating	IP67
Colour Rendering	Ra>80
Longevity	50,000 hours
Colour Rendering	Ra>80
System Power	60.0 W
Exit Lumens	4,500 lm (circular beam) 4,000 lm (elliptical beam)
Efficiency	75.0 l/cW (circular beam) 66.7 l/cW (elliptical beam)

# HAZX

## NERO

### HAZX Nero

#### Wattage

60W

#### Colour

6000K

#### Beam Angle

Fine (10° Beam)

Narrow (30° Beam)

Medium (50° Beam)

Wide (120° Beam)

Elliptical Fine (35° x 10° Beam)

Elliptical Narrow (60° x 25° Beam)

Elliptical Medium (80° x 30° Beam)

Elliptical Wide (120° x 50° Beam)

#### Photocell

Not required

Integral Photocell

#### Emergency

Not required

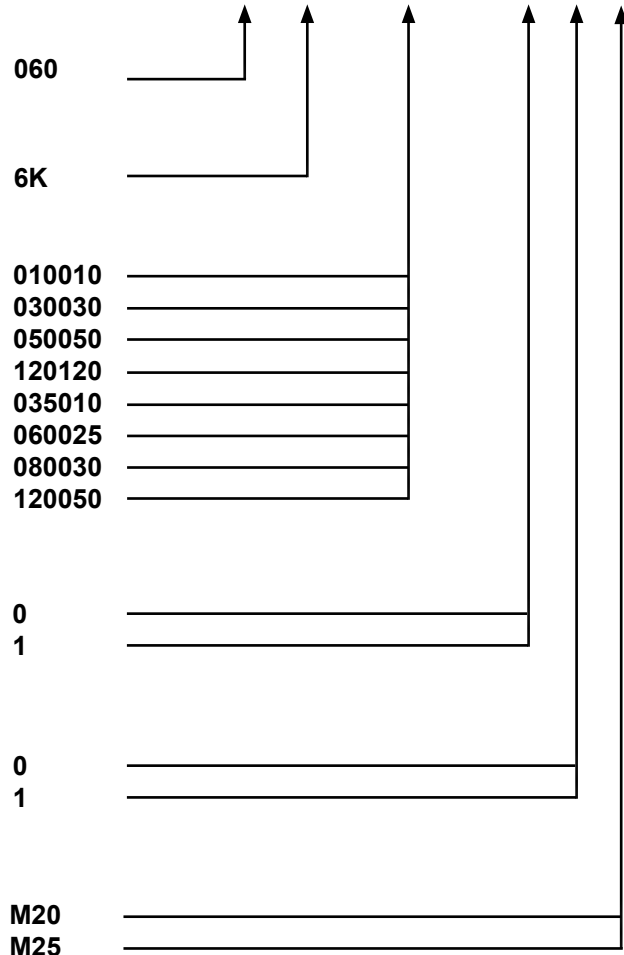
Emergency (3 Hour)

#### Cable Entries

M20

M25

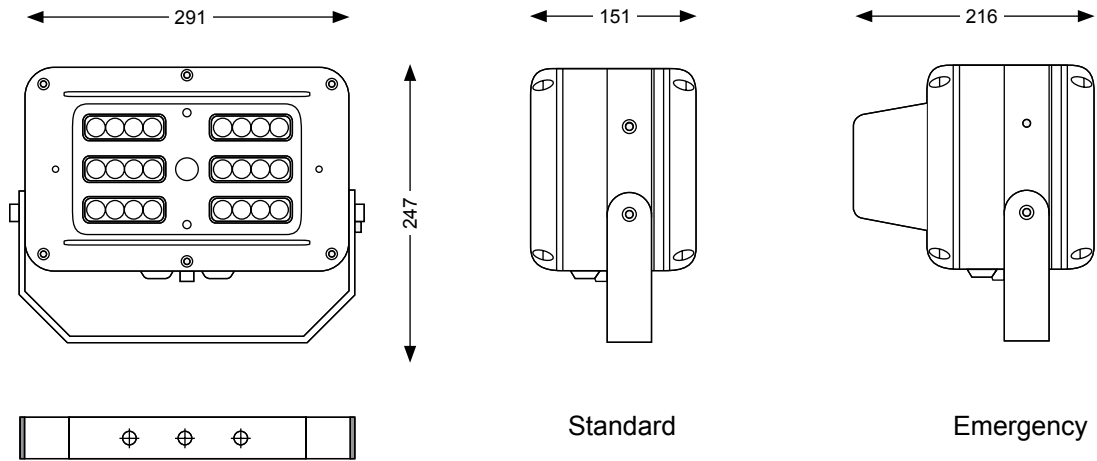
HAZ-NER      -060   -XX   -XXXXXX      -X   -X   -XXX



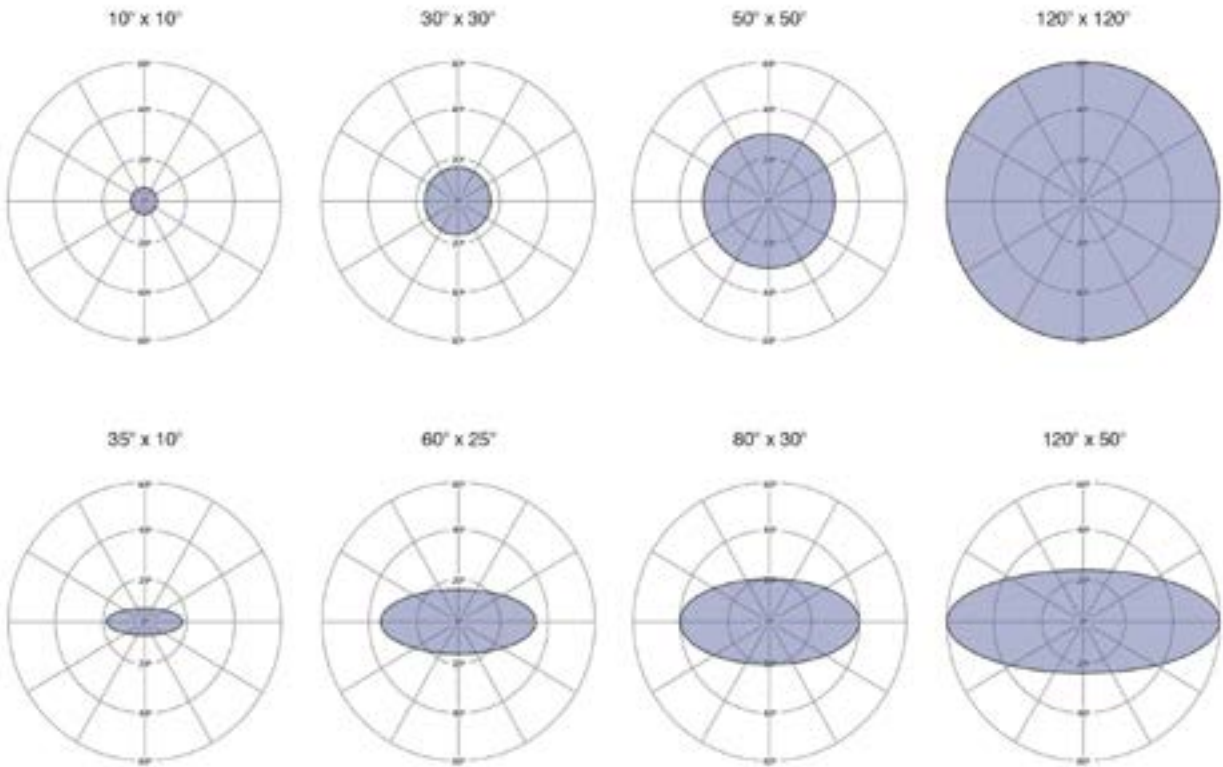
### Example of Code:

HAZ-NER-24-060-6K-080030-1-0-M20

Wattage:                    60W  
 Colour:                    6000K  
 Beam Angle:              Elliptical Medium (80° x 30° Beam)  
 Photocell:                Integral Photocell  
 Emergency:                Not required  
 Cable Entries:            M20



**Beam Angles**



# HAZX

## NERO TWIN



- ATEX & IEC EX approved - Zone 1 & 2
- Ultra long life LED
- High Lumen output LED
- Instant-on, no flicker
- Ease of Installation & Maintenance
- Wide operating temperature
- Holographic lens technology
- Over 50,000 hours life span
- 5 Year Warranty

Our HAZX Nero Twin is available in a variety of different beam patterns, both circular and elliptical, to suit any application. The circular beam patterns maximise light output, while the elliptical beam patterns use revolutionary holographic lens technology to shape the light providing greater illumination distances with significantly reduced energy wastage. The holographic beam patterns can easily be modified – offering ultimate flexibility to specifiers, distributors and end-users.

Our Flood has been designed from the ground up for easy installation, easy maintenance, easy inspection, and long life performance. Our thermal management technology, ensures a much cooler LED operating temperature allowing the product to operate for >10 years. A unique, maintenance friendly design allows quick and easy servicing and inspection of all key components including LED and PSU modules if required.



General	
Dimensions	291 x 438 x 151mm
Weight	16.0kg
Installation	Bracket Mounted
Voltage	110-254Vac 50/60Hz
Classification	Ex II 2GD emb IIC T4 / Ex tb IIIC T82°C Db
Certification	ATEX and IEC Ex rated for Gas & Dust
Zone	Zone 1 & 2 (Gas) Zone 21 & 22 (Dust)
Warranty	5 Years

Performance	
IP Rating	IP67
Colour Rendering	Ra>80
Longevity	50,000 hours
Colour Rendering	Ra>80
System Power	60.0 W
Exit Lumens	9,000 lm (circular beam) 8,000 lm (elliptical beam)
Efficiency	75.0 ll/cW (circular beam) 66.7 ll/cW (elliptical beam)

# HAZX

## NERO TWIN

### HAZX Nero Twin

#### Wattage

120W

#### Colour

6000K

#### Beam Angle

Fine (10° Beam)

Narrow (30° Beam)

Medium (50° Beam)

Wide (120° Beam)

Elliptical Fine (35° x 10° Beam)

Elliptical Narrow (60° x 25° Beam)

Elliptical Medium (80° x 30° Beam)

Elliptical Wide (120° x 50° Beam)

#### Photocell

Not required

Integral Photocell

#### Emergency

Not required

3 Hour Emergency Facility (Single Head)

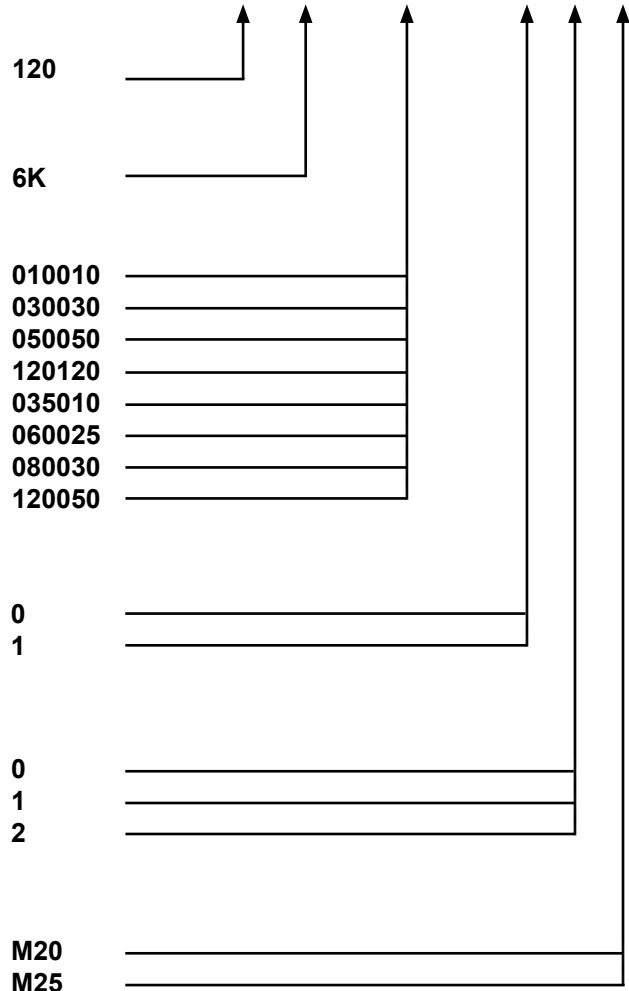
3 Hour Emergency Facility (Twin Head)

#### Cable Entries

M20

M25

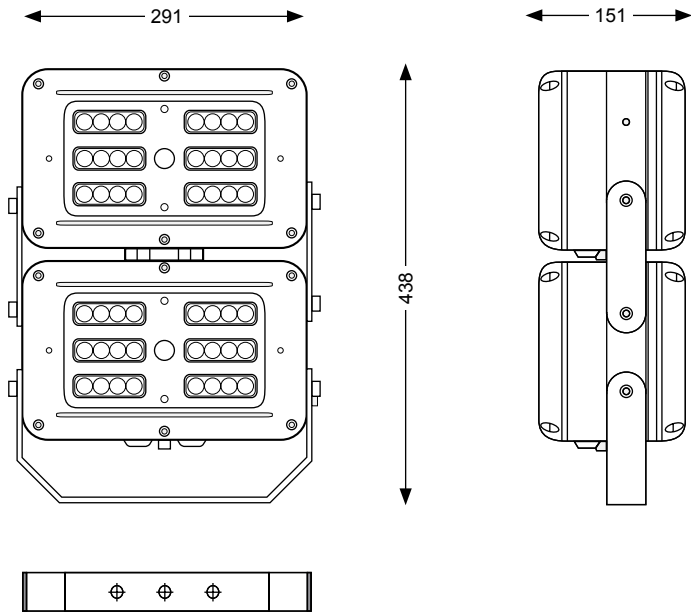
HAZ-NER-T    -120   -XX   -XXXXXX    -X   -X   -XXX



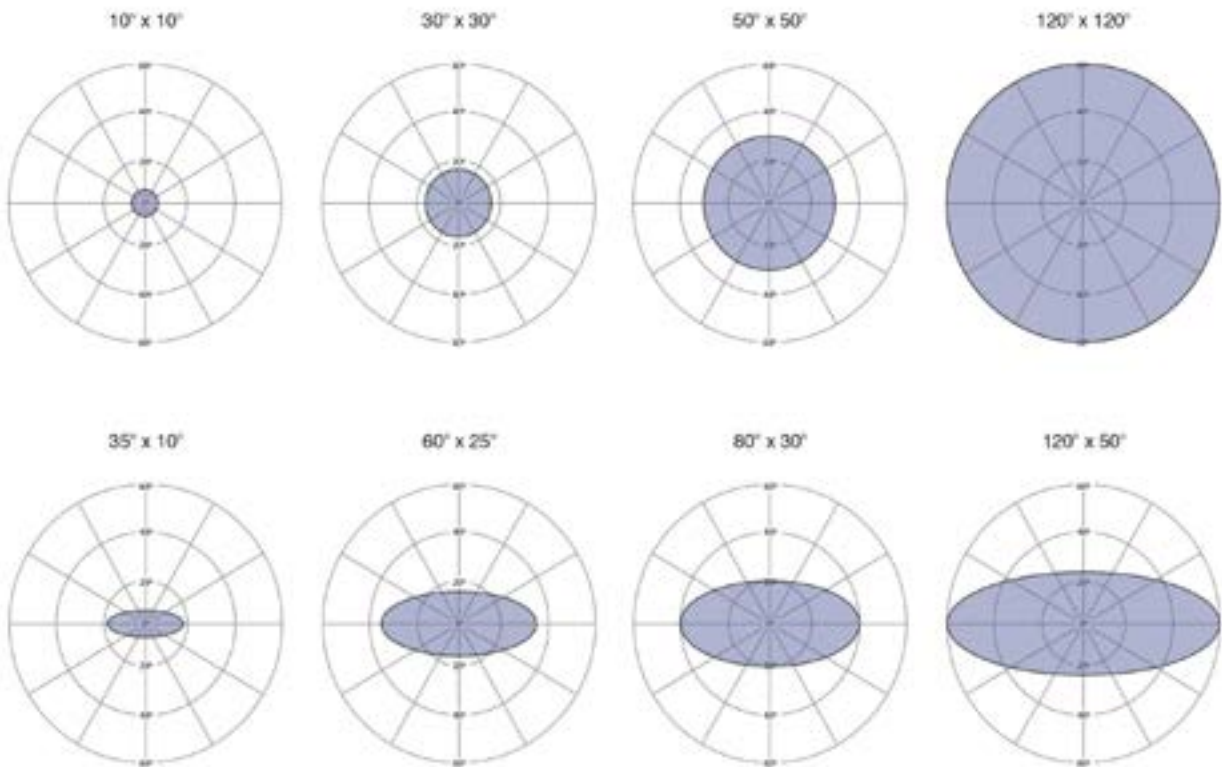
### Example of Code:

HAZ-NER-T-48-120-6K-120120-0-1-M20

Wattage: 120W  
 Colour: 6000K  
 Beam Angle: Wide (120° Beam)  
 Photocell: Not required  
 Emergency: 3 Hour Emergency Facility (Single Head)  
 Cable Entries: M20



### Beam Angles



[sales@led.co.uk](mailto:sales@led.co.uk)  
[www.led.co.uk](http://www.led.co.uk)

LED.CO.UK